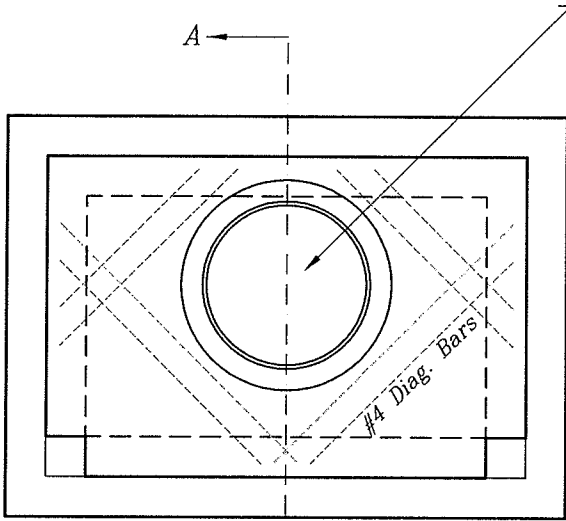
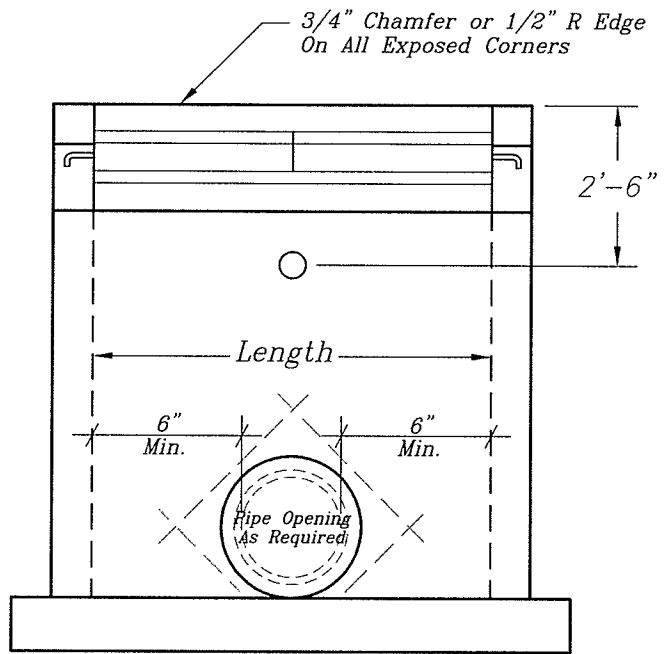


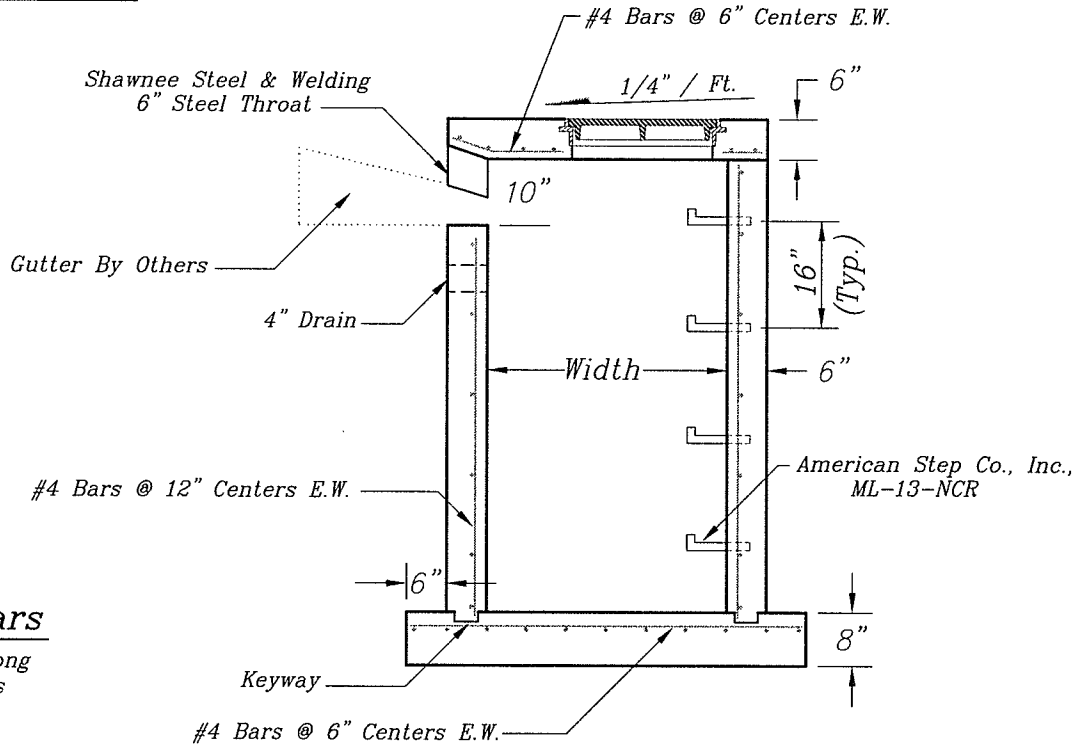
Deeter Foundry, Inc.  
D-2016



PLAN VIEW



FRONT VIEW



SECTION A-A

Corner Bars

#4 Bars 24" Long  
@ 12" Centers  
All Corners

REINFORCEMENT

• #4 Bars, Grade 60, ASTM A615

CONCRETE

• 4,000 lbf/in<sup>2</sup>, (AE)