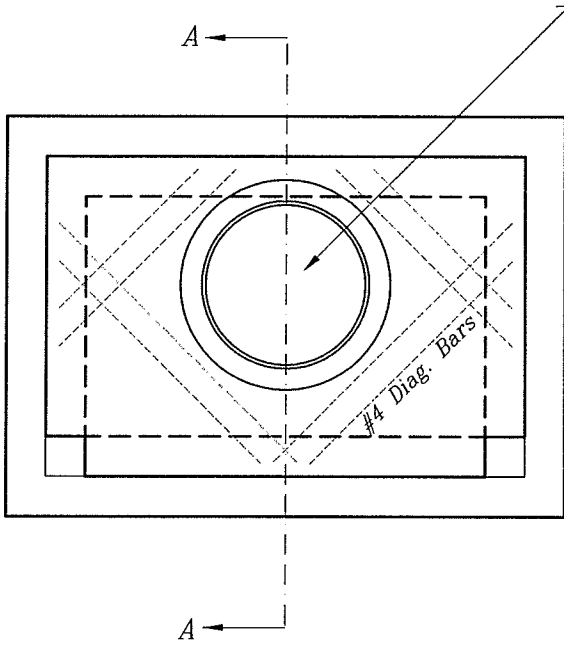
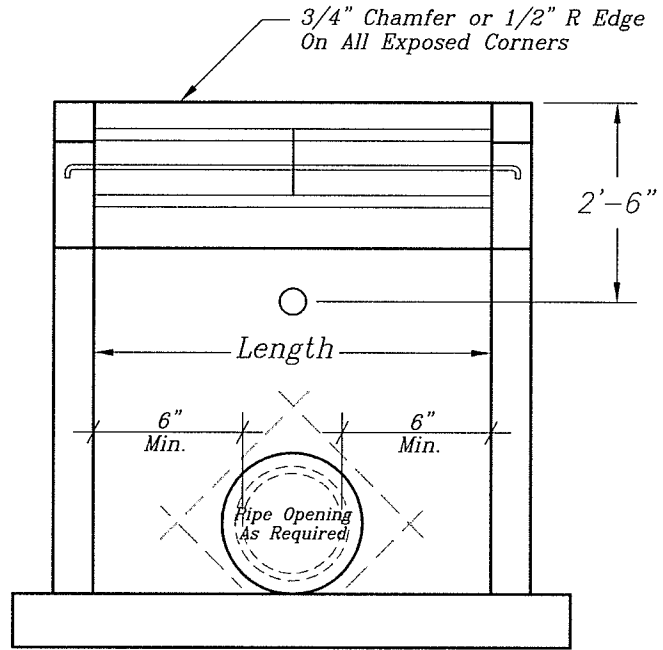


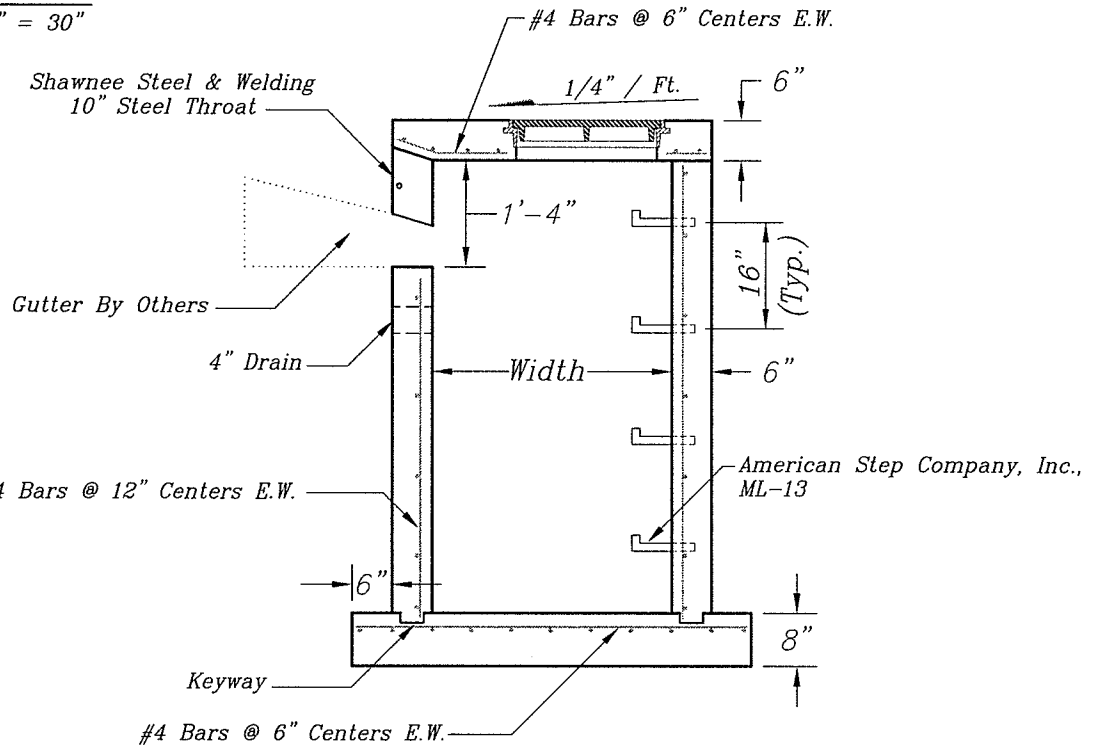
Deeter Foundry, Inc.
D-2016



PLAN VIEW
Scale: 1" = 30"



FRONT VIEW
Scale: 1" = 30"



SECTION A
Scale: 1" = 30"

Corner Bars
#4 Bars 24" Long
@ 12" Centers
All Corners

REINFORCING: #4 Bars Grade 60 ASTM A615
CONCRETE: Class A (AE)

PRETECH CORPORATION provides this digital document with the intention of providing the most current information available at the time of this production.

CURB INLET
(Standard Setback)

SS-1