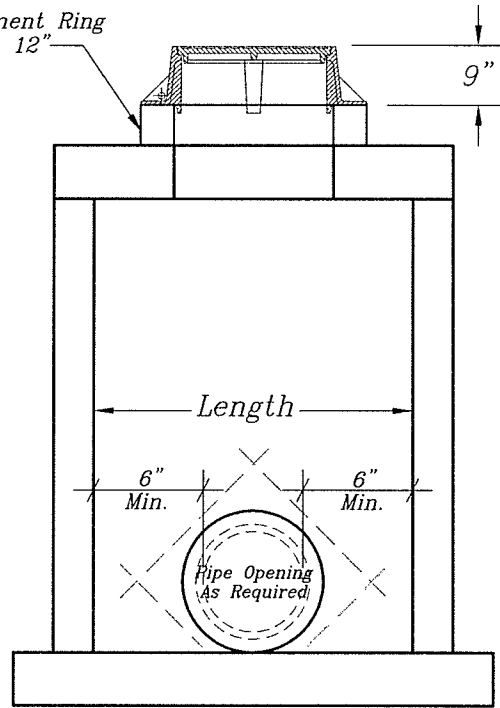
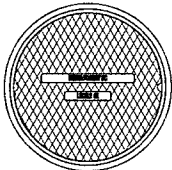


**TOP VIEW**  
Scale: 1" = 30"



**FRONT VIEW**  
Scale: 1" = 30"

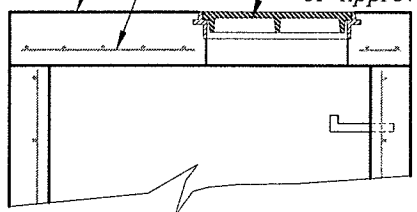


D-2016

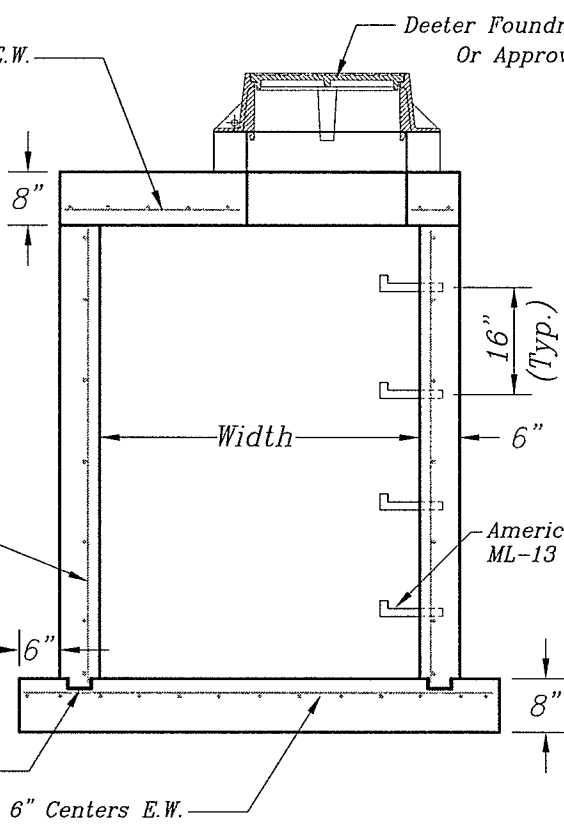
3/4" Chamfer or 1/2" R Edge  
On All Exposed Corners

#5 Bars @ 6" Centers E.W.

Deeter Foundry, Inc.  
D-2016  
Or Approved Equal

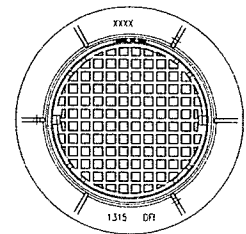


**SLAB TOP ALTERNATE FOR  
JUNCTION BOX (SHALLOW)**



**SECTION A**  
Scale: 1" = 30"

REINFORCING: #4 & #5 Bars Grade 60 ASTM A615  
CONCRETE: Class A (AE)



D-1315

Deeter Foundry, Inc. D-1315  
Or Approved Equal

American Step Company, Inc.,  
ML-13 Or Approved Equal

**Corner Bars**  
#4 Bars 24" Long  
@ 12" Centers  
All Corners