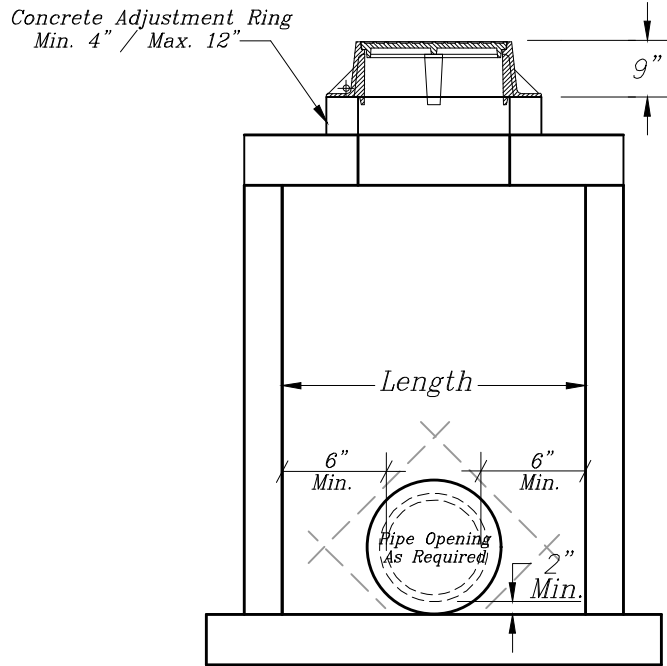
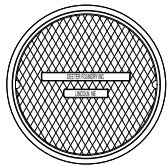


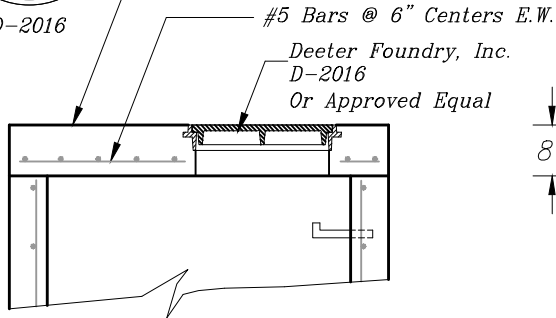
**TOP VIEW**  
Scale: 1" = 30"



**FRONT VIEW**  
Scale: 1" = 30"



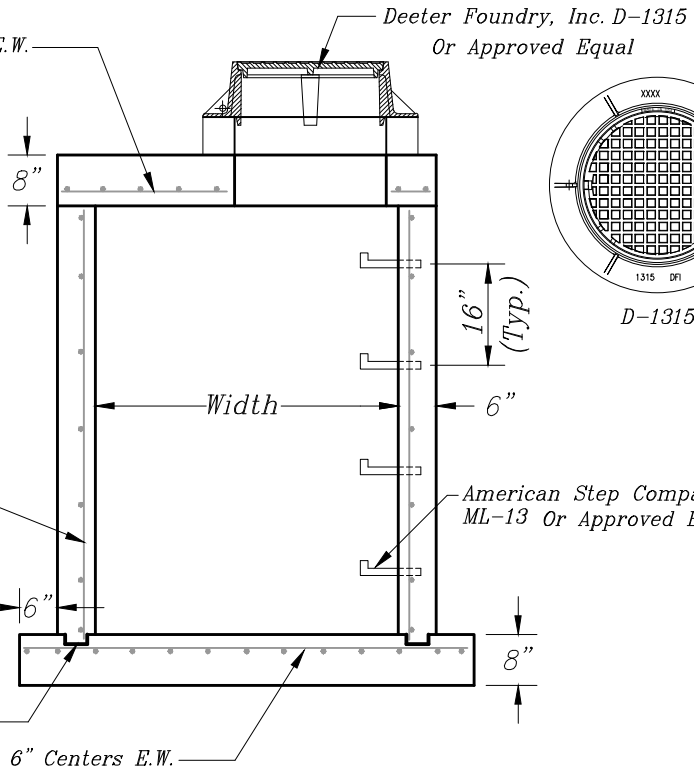
3/4" Chamfer or 1/2" R Edge  
On All Exposed Corners  
D-2016



**SLAB TOP ALTERNATE FOR  
JUNCTION BOX (SHALLOW)**



**Corner Bars**  
#4 Bars 24" Long  
@ 12" Centers  
All Corners



**SECTION A**  
Scale: 1" = 30"

REINFORCING: #4 & #5 Bars Grade 60 ASTM A615  
CONCRETE: 4000psi (AE)



JUNCTION BOX

Reference  
Only  
JB