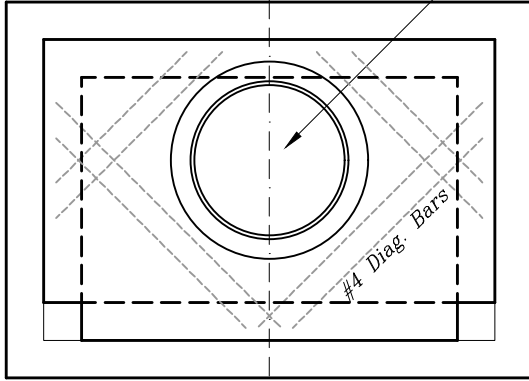


Deeter Foundry, Inc.
D-2016
Or Approved Equal

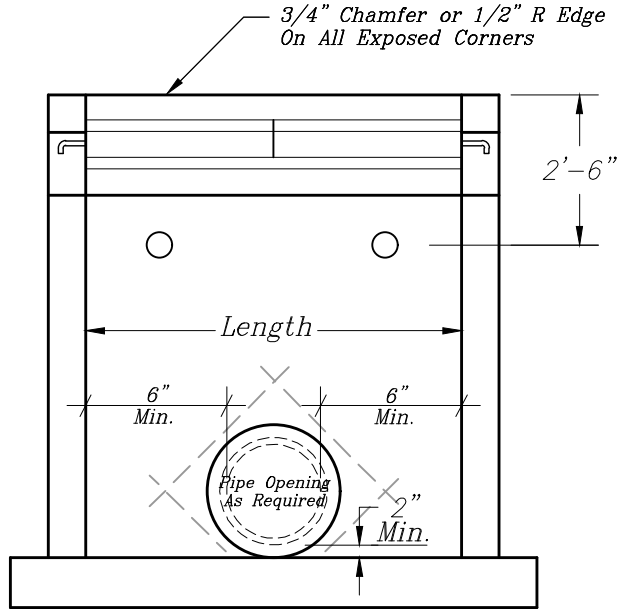
A



A

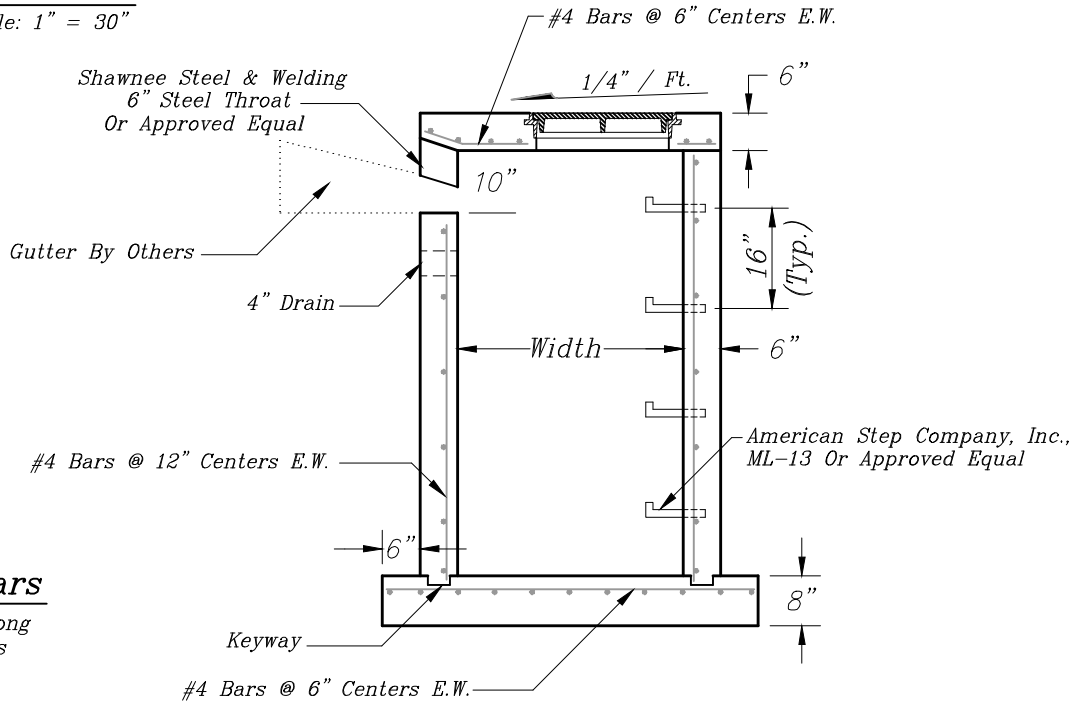
PLAN VIEW

Scale: 1" = 30"



FRONT VIEW

Scale: 1" = 30"



SECTION A

Scale: 1" = 30"

Corner Bars

#4 Bars 24" Long
@ 12" Centers
All Corners

REINFORCING: #4 Bars Grade 60 ASTM A615
CONCRETE: 4000psi (AE)



**CURB INLET
(Non-Setback)**

Reference
Only
NSB CI