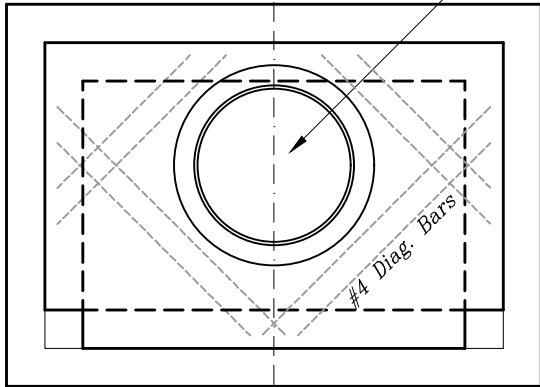


Deeter Foundry, Inc.
D-2016
Or Approved Equal

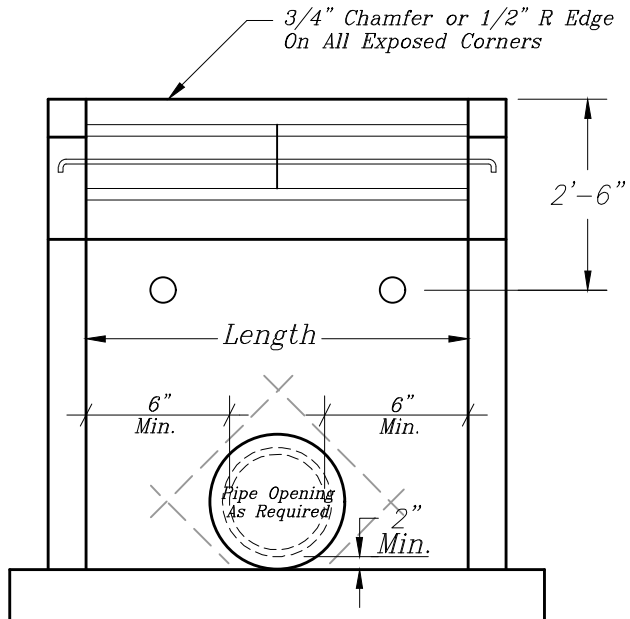
A



PLAN VIEW

Scale: 1" = 30"

A



FRONT VIEW

Scale: 1" = 30"

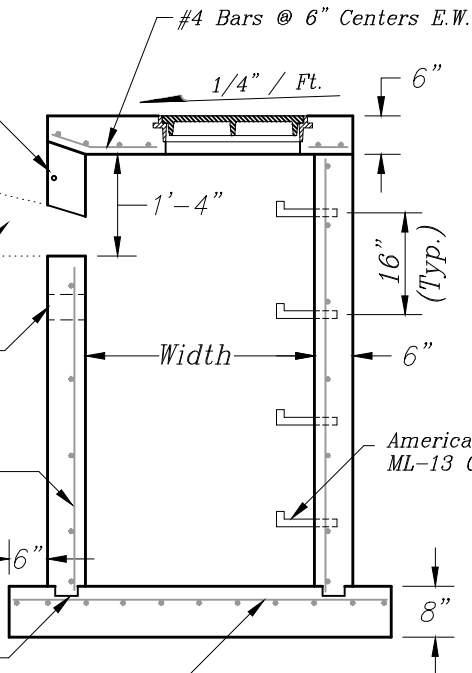
Shawnee Steel & Welding
10" Steel Throat
Or Approved Equal

Gutter By Others

4" Drain

#4 Bars @ 12" Centers E.W.

#4 Bars @ 6" Centers E.W.



SECTION A

Scale: 1" = 30"

Corner Bars

#4 Bars 24" Long
@ 12" Centers
All Corners

REINFORCING: #4 Bars Grade 60 ASTM A615
CONCRETE: 4000psi (AE)



CURB INLET
(Standard Setback)

Reference
Only
SSB CI