

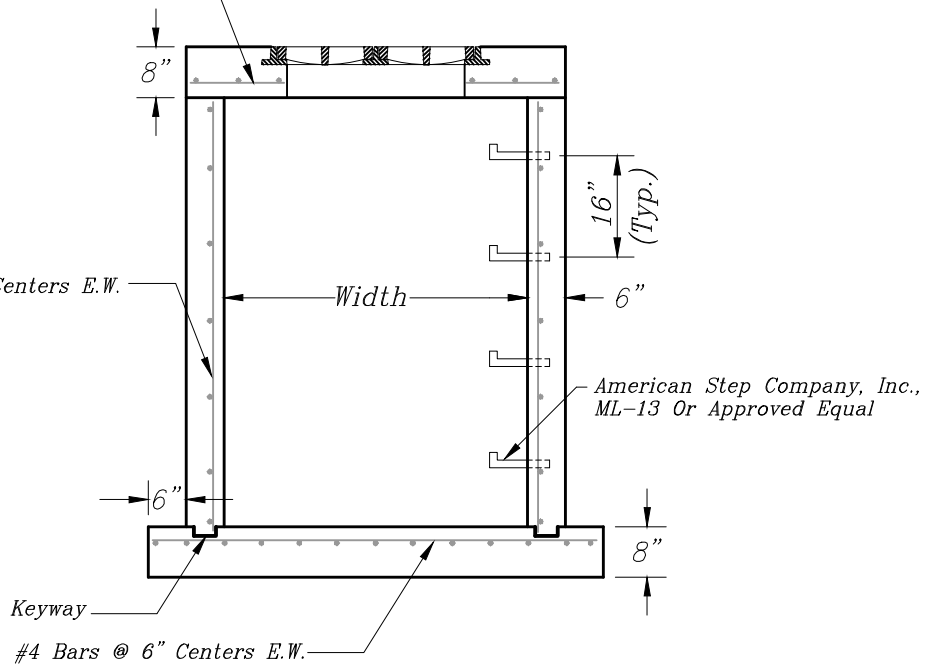
#5 Bars @ 6" Centers E.W.

#4 Bars @ 12" Centers E.W.



Corner Bars

#4 Bars 24" Long
 @ 12" Centers
 All Corners



SECTION A

Scale: 1" = 30"

REINFORCING: #4 & #5 Bars Grade 60 ASTM A615
 CONCRETE: 4000psi (AE)



GRATE INLET

Reference
 Only
 GI